



TC1-SS

Tenditori automatici rotanti alimentari a molla TC1 SS completamente in acciaio inox, hanno la base e leva ricavate dal pieno in AISI 304, boccole per lo scorrimento dei perni in materiale plastico alimentare e tutte le parti meccaniche e di serraggio in acciaio inox AISI 304/316, le molle in AISI 302.

TC1 SS automatic rotary spring-action tensioners for the food industry, completely in stainless steel has the base and lever machined from solid AISI 304, bushings in plastic material food-grade for rod glide and all mechanical parts and fasteners in AISI 304/316, spring in AISI 302.

Tendeurs automatiques rotatifs alimentaires à ressort TC1 SS, entièrement en acier inoxydable, a une base et d'un levier en acier plein AISI 304, des douilles de pour le coulisement en plastique alimentaire et toutes les pièces mécaniques et de serrage en acier inoxydable AISI 304/316, les ressorts en AISI 302.

Tensores automáticos giratorios alimentarios de muelle TC1 SS, completamente de acero inoxidable, tienen el cuerpo y palanca obtenido de pieza maciza de AISI 304, manguitos para el deslizamiento de los pasadores de material plástico alimentario y todas las partes mecánicas y de apriete de acero inoxidable AISI 304/316, los muelles de AISI 302.

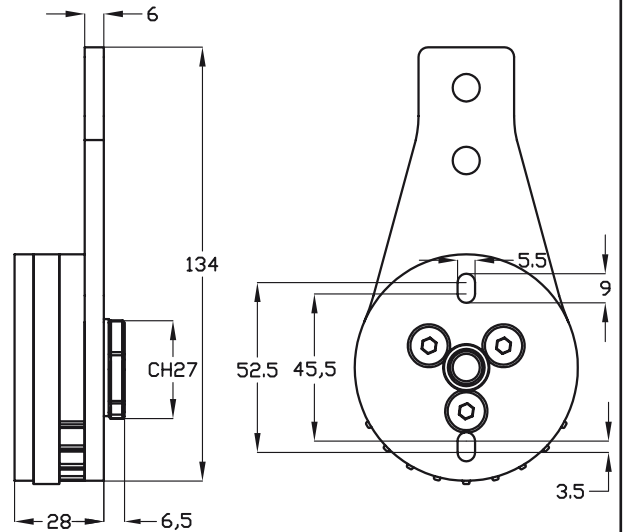
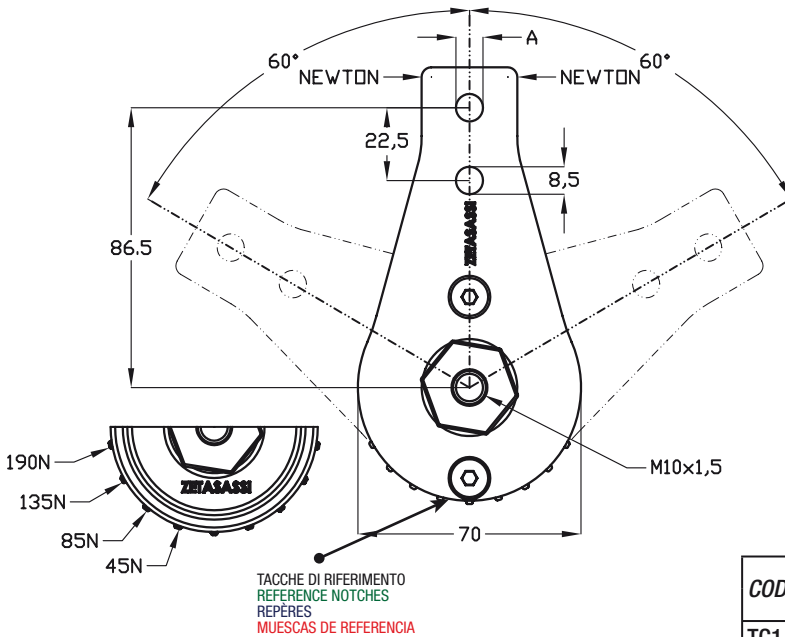


NEWTON
45-190

Mod. dep. - Pat. pending

Range
-40°+200°C

Inox Full Stainless steel

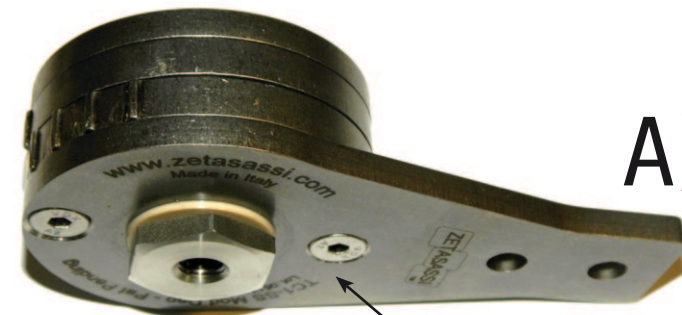


CODE	NEWTON		A	KG
	MIN	MAX		
TC1-SS	45	190	Ø 8,5 mm	0,75
TC1105-SS	45	190	Ø 10,5 mm	0,75
TC1125-SS	45	190	Ø 12,5 mm	0,75
TC1145-SS	45	190	Ø 14,5 mm	0,75
TC1165-SS	45	190	Ø 16,5 mm	0,75

Su richiesta si possono effettuare forature diverse da quelle presenti in catalogo.
On request, different bores from those indicated in the catalogue can be supplied.
Possibilità de perçages différents de ceux du catalogue sur commande.

A petición, se pueden efectuar perforaciones distintas de las presentes en el catálogo.

A

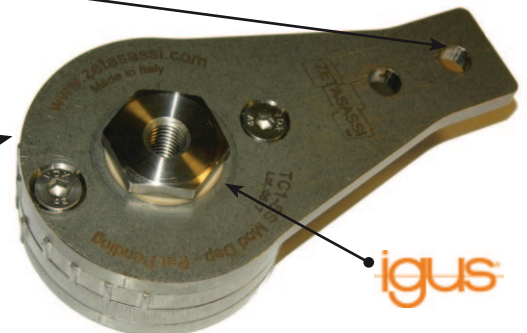


Grease NSF authorized by



Acciaio inossidabile
Stainless steel
Acier inoxydable
Acero inoxidable

Mod. dep. - Pat. pending





TCR1-SS



Tendicatena automatici rotanti a molla TCR1 SS completamente in acciaio inox, hanno la base e leva ricavate dal pieno in AISI 304, bocche per lo scorrimento dei perni in materiale plastico alimentare e tutte le parti meccaniche e di serraggio in acciaio inox AISI 304/316, le molle in AISI 302. Forniti di pignone tendicatena folle e cuscinetti con doppia schermatura in acciaio inox.

TCR1 SS automatic rotary spring-action chain tensioners, completely in stainless steel has the base and lever machined from solid AISI 304, bushings in plastic material food-grade for rod glide and all mechanical parts and fasteners in AISI 304/316, spring in AISI 302. Equipped with idle chain tensioner pinion and double shielded bearings in stainless steel.

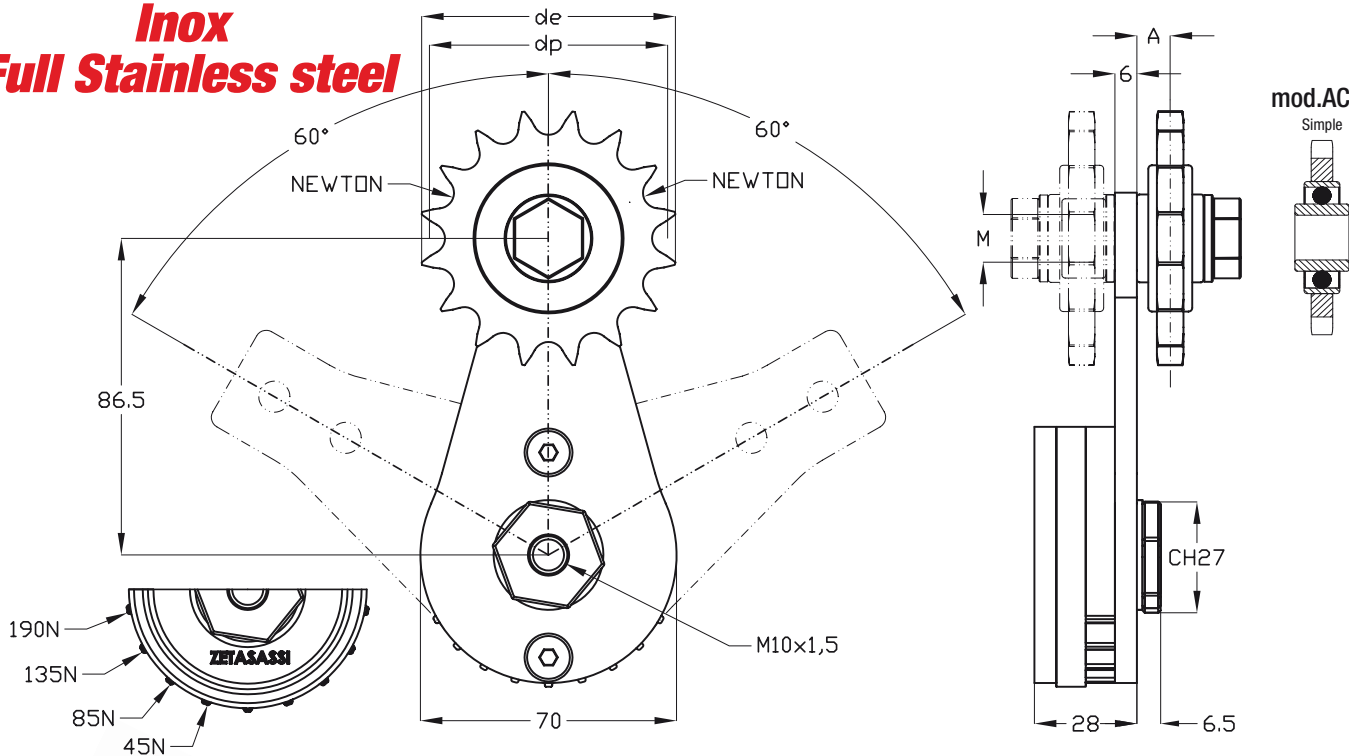
Tendeurs de chaîne automatiques rotatifs à ressort TCR1 SS, entièrement en acier inoxydable, a une base et d'un levier en acier plein AISI 304, des douilles de pour le coulissement en plastique alimentaire et toutes les pièces mécaniques et de serrage en acier inoxydable AISI 304/316, les ressorts en AISI 302. Livrés avec pignon tendeur de chaîne libre avec roulements à double blindage en acier inoxydable

Tensores de cadena automáticos giratorios de muelle TCR1 SS, completamente de acero inoxidable, tienen el cuerpo y palanca obtenido de pieza maciza de AISI 304, manguitos para el deslizamiento de los pasadores de material plástico alimentario y todas las partes mecánicas y de apriete de acero inoxidable AISI 304/316, los muelles de AISI 302. Dotados de piñón tensor de cadena y rodamientos con doble blindaje de acero inoxidable.

NEWTON Mod. dep. - Pat. pending
45-190

Range
-20°+120°C

Inox
Full Stainless steel



COD	NEWTON		PASSO CATENA	DENTI	de	dp	Cuscinetto	A	M	Kg	
	MIN	MAX	CHAIN PITCH	TEETH			Bearings				
			PASO DE LA CADENA	DIENTES			Roulements				
			PAS DE LA CHAÎNE	DENTS			Rodamientos				
TCR1AC38S-SS	45	190	3/8" x 7/32"	06B1	21	68	63,9	203 K2RS AH02 ss	9,1	M12x1,75 40	0,96
TCR1AC12S-SS			1/2" x 5/16"	08B1	16	69,5	65,1				0,98
TCR1AC58S-SS			5/8" x 3/8"	10B1	17	93	86,39				1,18
TCR1AC34S-SS			3/4" x 7/16"	12B1	15	99,8	91,63				1,29
TCR1AC1S-SS			1" x 17 mm	16B1	12	109	98,14				204 K2RS ss

Grease NSF authorized
by



Mod. dep. - Pat. pending

Acciaio inossidabile
Stainless steel
Acier inoxydable
Acero inoxidable





TO SS

Tendicatena automatici lineari a molla TO SS completamente in acciaio inox, hanno la base ricavata dal pieno in AISI 304, boccole PTFE per lo scorrimento dei perni e tutte le parti meccaniche e di serraggio in acciaio inox AISI 304/316, le molle in AISI 302. Forniti di pattino tendicatena in polietilene 1'000'000 UHMW.

TO SS automatic linear spring-action chain tensioners, completely in stainless steel has the base machined from solid AISI 304, PTFE bushings for rod glide and all mechanical parts and fasteners in AISI 304/316, spring in AISI 302. Equipped with chain tensioning shoe in polyethylene 1,000,000 UHMW.

Tendeurs de chaîne automatiques linéaires à ressort TO SS, entièrement en acier inoxydable, a une base en acier plein AISI 304, des douilles de PTFE pour le coulissement des tiges et toutes les pièces mécaniques et de serrage en acier inoxydable AISI 304/316, les ressorts en AISI 302. Livrés avec patin tendeur de chaîne en polyéthylène 1'000'000 UHMW.

Tensores de cadena automáticos lineales de muelle TO SS, completamente de acero inoxidable, tienen el cuerpo obtenido de pieza maciza de AISI 304, manguitos PTFE para el deslizamiento de los pasadores y todas las partes mecánicas y de apriete de acero inoxidable AISI 304/316, los muelles de AISI 302. Dotados de patín tensor de cadena de polietileno 1.000.000 UHMW.

NEWTON INOX

TO1-SS 110-240

TO2-SS 210-350

TO3-SS 250-450

Range

-50°+80°C

Chain

TO1-SS

U=8x3 05B1 & <08B-1

3/8"x7/32" 06B-1-2-3

1/2"x5/16" 08B-1-2-3

5/8"x3/8" 10B-1-2-3

ASA35 06C-1-2-3

ASA40 08A-1-2-3

TO2-SS

5/8"x3/8" 10B 1-2-3

3/4"x7/16" 12B 1-2-3

1"x17 mm 16B 1-2

ASA50 10A 1-2-3

ASA60 12A 1-2-3

TO3-SS

1"x17 mm 16B 1-2-3

1 1/4x3/4" 20B 1-2-3

1 1/2x1" 24B 1-2-3

1 3/4x1 1/4 28B 1-2

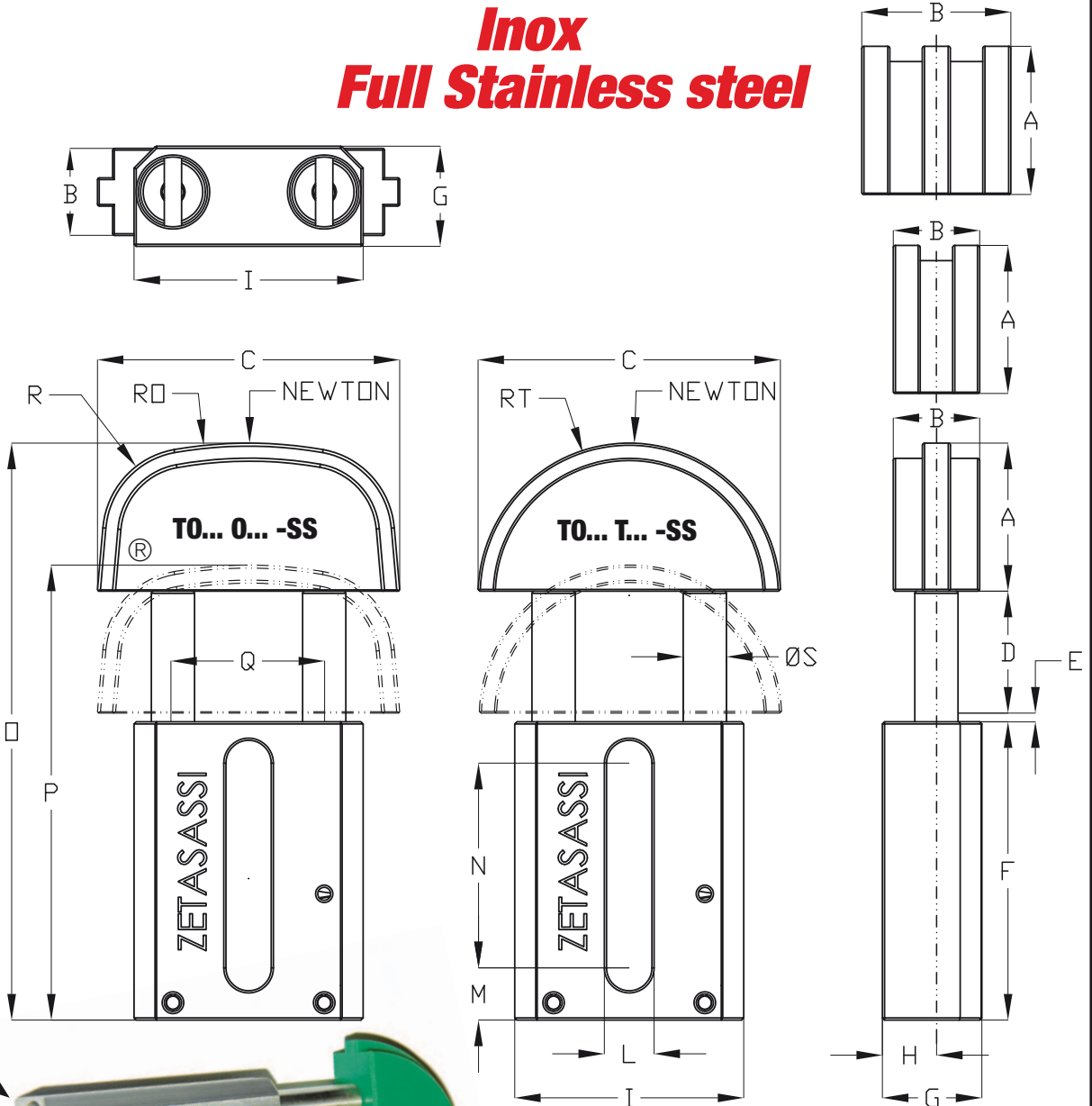
2"x1 1/4 32B 1-2

ASA80 16A 1-2-3

ASA100 20A 1-2-3

ASA120 24A 1-2

Acciaio inossidabile
Stainless steel
Acier inoxydable
Acero inoxidable



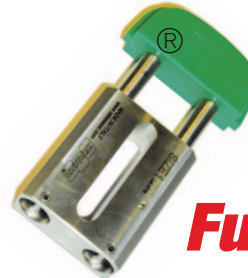
Polietilene 1000
Polyethylene 1000
Polyéthylène 1000
Polietileno 1000





TO SS

TO(1-2-3) O ...-SS
TO(1-2-3) T ...-SS

EXAMPLE COD: T02 O 34S -SS



Inox
Full Stainless steel

	CODE		NEWTON		PASSO CATENA		A	B	C	D	E±1	F	G	H	I	L	M	N	O±1	P±1	Q	R	RO	RT	S	KG					
	O	T	MIN	MAX	CHAIN PITCH																										
					PASO DE LA CADENA																										
					PAS DE LA CHAÎNE																										
T01-SS																															
U	T010U-SS	T01TU-SS	110	240	8x3 - 3/8" - 1/2"		20																				0,51				
	T01038S-SS	T01T38S-SS			3/8" x 7/32" 06B1		20																					0,51			
	T01038D-SS	T01T38D-SS			3/8" x 7/32" 06B2		20																						0,51		
3/8"		T01T38T-SS			3/8" x 7/32" 06B3		26																				0,52				
	T01012S-SS	T01T12S-SS			1/2" x 5/16" 08B1		20																				0,51				
	T01012D-SS	T01T12D-SS			1/2" x 5/16" 08B2		20																				0,51				
1/2"		T01T12T-SS			1/2" x 5/16" 08B3		34,5																				0,53				
	T01058S-SS	T01T58S-SS			5/8" x 3/8" 10B1		20																				0,51				
	T01058D-SS	T01T58D-SS			5/8" x 3/8" 10B2		25																				0,52				
5/8"		T01T58T-SS			5/8" x 3/8" 10B3		41,5	70	26	4	68,5	23	12,5	53	10,5	12	47	133	107	35	20	100	35	10		0,54					
	T010ASA35S-SS	T01TASA35S-SS			ASA35 06C.1		20																				0,51				
	T010ASA35D-SS	T01TASA35D-SS			ASA35.2 06C.2		20																				0,51				
ASA35		T01TASA35T-SS			ASA35.3 06C.3		24,4																				0,52				
	T010ASA40S-SS	T01TASA40S-SS			ASA40 08A.1		20																				0,51				
	T010ASA40D-SS	T01TASA40D-SS			ASA40.2 08A.2		25																				0,52				
ASA40		T01TASA40T-SS			ASA40.3 08A.3		36																				0,53				
	T02-SS																														
	5/8"	T02058S-SS	T02T58S-SS	210	350	5/8" x 3/8" 10B1		22																				1,01			
T02058D-SS		T02T58D-SS	5/8" x 3/8" 10B2			25																					1,02				
		T02T58T-SS	5/8" x 3/8" 10B3			41,5																						1,05			
3/4"	T02034S-SS	T02T34S-SS			3/4" x 7/16 12B1		22																				1,01				
	T02034D-SS	T02T34D-SS			3/4" x 7/16 12B2		30																				1,04				
		T02T34T-SS	3/4" x 7/16 12B3		49																						1,07				
1"	T0201S-SS	T02T1S-SS			1" x 17 mm 16B1		25																				1,02				
		T02T1D-SS	1" x 17 mm 16B2		46	90	36	4	86	28	15	70	12,5	15	58	170	134	46	20	120	45	12				1,06					
	T020ASA50S-SS	T02TASA50S-SS			ASA50 10A.1		22																				1,01				
ASA50		T02TASA50D-SS			ASA50.2 10A.2		30																				1,04				
		T02TASA50T-SS			ASA50.3 10A.3		44,8																				1,06				
	T020ASA60S-SS	T02TASA60S-SS			ASA60 12A.1		22																				1,01				
ASA60		T02TASA60D-SS			ASA60.2 12A.2		34,8																				1,04				
		T02TASA60T-SS			ASA60.3 12A.3		57,6																				1,1				
	T03-SS																														
1"	T0301S-SS	T03T1S-SS	250	450	1" x 17 mm 16B1		25																				1,56				
		T03T1D-SS			1" x 17 mm 16B2		46																					1,62			
		T03T1T-SS			1" x 17 mm 16B3		78																						1,75		
1" 1/4	T030114S-SS	T03T114S-SS			1"1/4 x 3/4" 20B1		25																				1,56				
		T03T114D-SS	1"1/4 x 3/4" 20B2		54																						1,66				
		T03T114T-SS	1"1/4 x 3/4" 20B3		90																						1,8				
1" 1/2	T030112S-SS	T03T112S-SS			1"1/2 x 1" 24B1		25																				1,56				
		T03T112D-SS	1"1/2 x 1" 24B2		71																						1,72				
		T03T112T-SS	1"1/2 x 1" 24B3		119																						1,91				
1" 3/4		T03T134S-SS			1"3/4 x 1"1/4 28B1		29,5																				1,56				
		T03T134D-SS	1"3/4 x 1"1/4 28B2		88	110	39	6	99	33	17,5	82	14,5	16	67	198	159	53	25	140	55	16				1,79					
		T03T2S-SS	2" x 1"1/4 32B1		29,5																							1,56			
2"		T03T2D-SS	2" x 1"1/4 32B2		88																						1,79				
	T030ASA80S-SS	T03TASA80S-SS			ASA80 16A.1		25																				1,56				
		T03TASA80D-SS	ASA80.2 16A.2		44,3																						1,62				
ASA80		T03TASA80T-SS			ASA80.3 16A.3		73,6																				1,73				
	T030ASA100S-SS	T03TASA100S-SS			ASA100 20A.1		25																				1,56				
		T03TASA100D-SS	ASA100.2 20A.2		54																						1,66				
ASA100		T03TASA100T-SS			ASA100.3 20A.3		90																				1,8				
	T030ASA120S-SS	T03TASA120S-SS			ASA120 24A.1		25																				1,56				
		T03TASA120D-SS	ASA120.2 24A.2		70																						1,72				



TA SS

Tendicatena automatici lineari a molla TA SS completamente in acciaio inox, hanno la base ricavata dal pieno in AISI 304, boccole PTFE per lo scorrimento dei perni e tutte le parti meccaniche e di serraggio in acciaio inox AISI 304/316, le molle in AISI 302. Forniti di pattino tendicatena in polietilene 1'000'000 UHMW.

TA SS automatic linear spring-action chain tensioners, completely in stainless steel has the base machined from solid AISI 304, PTFE bushings for rod glide and all mechanical parts and fasteners in AISI 304/316, spring in AISI 302. Equipped with chain tensioning shoe in polyethylene 1,000,000 UHMW.

Tendeurs de chaîne automatiques linéaires à ressort TA SS, entièrement en acier inoxydable, a une base en acier plein AISI 304, des douilles de PTFE pour le coulisement des tiges et toutes les pièces mécaniques et de serrage en acier inoxydable AISI 304/316, les ressorts en AISI 302. Livrés avec patin tendeur de chaîne en polyéthylène 1'000'000 UHMW

Tensores de cadena automáticos lineales de muelle TA SS, completamente de acero inoxidable, tienen el cuerpo obtenido de pieza maciza de AISI 304, manguitos PTFE para el deslizamiento de los pasadores y todas las partes mecánicas y de apriete de acero inoxidable AISI 304/316, los muelles de AISI 302. Dotados de patín tensor de cadena de polietileno 1.000.000 UHMW.

Inox Full Stainless steel

- NEWTON INOX**
- TA1-SS 110-240
- TA2-SS 210-350
- TA3-SS 250-450

Range
-50°+80°C

Chain

TA1-SS

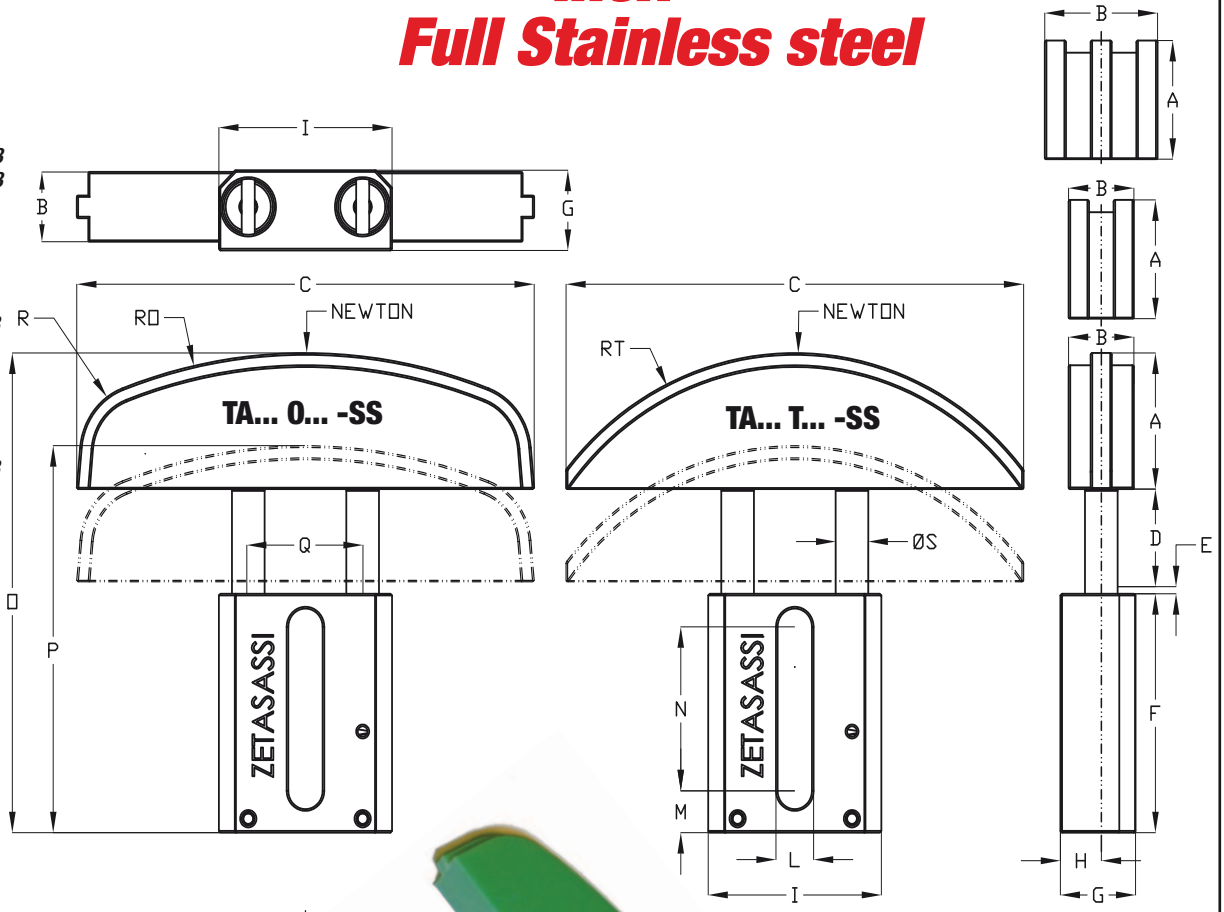
- 3/8"x7/32" 06B-1-2-3
- 1/2"x5/16" 08B-1-2-3
- ASA35 06C-1-2-3
- ASA40 08A-1-2-3

TA2-SS

- 5/8"x3/8" 10B 1-2-3
- 3/4"x7/16" 12B 1-2-3
- ASA50 10A 1-2-3
- ASA60 12A 1-2-3

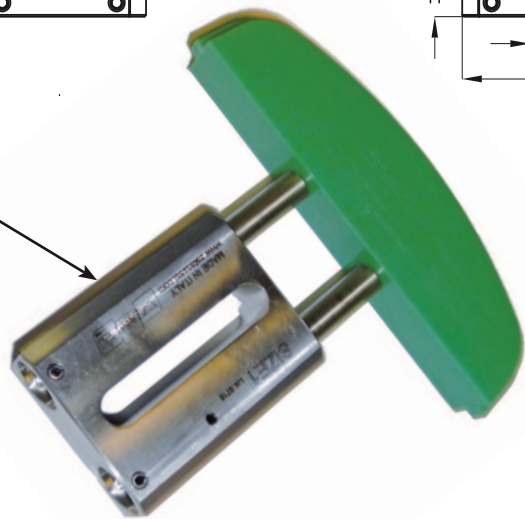
TA3-SS

- 1"x17 mm 16B 1-2-3
- 1"1/4x3/4" 20B 1-2-3
- 1"1/2x1" 24B 1-2-3
- 1"3/4x1"1/4 28B 1
- 2"x1"1/4 32B 1
- ASA80 16A 1-2-3
- ASA100 20A 1-2-3
- ASA120 24A 1-2



Acciaio inossidabile
Stainless steel
Acier inoxydable
Acero inoxidable

Polietilene 1000
Polyethylene 1000
Polyéthylène 1000
Poliuretano 1000







TA SS

TA(1-2-3) O ...-SS
TA(1-2-3) T ...-SS

EXAMPLE COD: TA2 O 34S -SS



Inox
Full Stainless steel

	CODE		NEWTON		PASSO CATENA		A	B	C	D	E±1	F	G	H	I	L	M	N	O±1	P±1	Q	R	RO	RT	S	KG						
	O	T	MIN	MAX	CHAIN PITCH																											
					PASO DE LA CADENA																											
				PAS DE LA CHAÎNE																												
TA1-SS																																
3/8"	TA1038S-SS	TA1T38S-SS	110	240	3/8" x 7/32"	06B1	20																									0,53
	TA1038D-SS	TA1T38D-SS			3/8" x 7/32"	06B2	20																									0,53
		TA1T38T-SS			3/8" x 7/32"	06B3	26																									0,55
1/2"	TA1012S-SS	TA1T12S-SS	110	240	1/2" x 5/16"	08B1	20																									0,53
	TA1012D-SS	TA1T12D-SS			1/2" x 5/16"	08B2	20																									0,53
		TA1T12T-SS			1/2" x 5/16"	08B3	34,5																									0,56
ASA35	TA10ASA35S-SS	TA1TASA35S-SS	110	240	ASA35	06C.1	39	140	26	4	68,5	23	12,5	53	10,5	12	47	138	112	35	20	160	90	10			0,53					
	TA10ASA35D-SS	TA1TASA35D-SS			ASA35.2	06C.2	20																									0,53
		TA1TASA35T-SS			ASA35.3	06C.3	24,4																									0,55
ASA40	TA10ASA40S-SS	TA1TASA40S-SS	110	240	ASA40	08A.1	20																									0,53
	TA10ASA40D-SS	TA1TASA40D-SS			ASA40.2	08A.2	25																									0,55
		TA1TASA40T-SS			ASA40.3	08A.3	36																									0,56
TA2-SS																																
5/8"	TA2058S-SS	TA2T58S-SS	210	350	5/8" x 3/8"	10B1	22																									1,06
	TA2058D-SS	TA2T58D-SS			5/8" x 3/8"	10B2	25																									1,07
		TA2T58T-SS			5/8" x 3/8"	10B3	41,5																									1,10
3/4"	TA2034S-SS	TA2T34S-SS	210	350	3/4" x 7/16	12B1	22																									1,06
	TA2034D-SS	TA2T34D-SS			3/4" x 7/16	12B2	30																									1,09
		TA2T34T-SS			3/4" x 7/16	12B3	49																									1,13
ASA50	TA20ASA50S-SS	TA2TASA50S-SS	210	350	ASA50	10A.1	39	140	36	4	86	28	15	70	12,5	15	58	165	129	46	20	160	90	12			1,06					
	TA20ASA50D-SS	TA2TASA50D-SS			ASA50.2	10A.2	30																									1,09
		TA2TASA50T-SS			ASA50.3	10A.3	44,8																									1,12
ASA60	TA20ASA60S-SS	TA2TASA60S-SS	210	350	ASA60	12A.1	22																									1,06
	TA20ASA60D-SS	TA2TASA60D-SS			ASA60.2	12A.2	34,8																									1,09
		TA2TASA60T-SS			ASA60.3	12A.3	57,6																									1,15
TA3-SS																																
1"	TA301S-SS	TA3T1S-SS	250	450	1" x 17 mm	16B1	25																									1,56
		TA3T1D-SS			1" x 17 mm	16B2	46																									1,62
		TA3T1T-SS			1" x 17 mm	16B3	78																									1,75
1" 1/4	TA30114S-SS	TA3T114S-SS	250	450	1"1/4 x 3/4"	20B1	25																									1,56
		TA3T114D-SS			1"1/4 x 3/4"	20B2	54																									1,66
		TA3T114T-SS			1"1/4 x 3/4"	20B3	90																									1,8
1" 1/2	TA30112S-SS	TA3T112S-SS	250	450	1"1/2 x 1"	24B1	25																									1,56
		TA3T112D-SS			1"1/2 x 1"	24B2	71																									1,72
		TA3T112T-SS			1"1/2 x 1"	24B3	119																									1,91
1" 3/4		TA3T134S-SS	250	450	1"3/4 x 1"1/4	28B1	39	29,5	140	39	6	99	33	17,5	82	14,5	16	67	183	144	53	20	160	90	16			1,56				
2"		TA3T2S-SS			2" x 1"1/4	32B1	29,5																									1,56
ASA80	TA30ASA80S-SS	TA3TASA80S-SS			250	450	ASA80	16A.1	25																							
		TA3TASA80D-SS	ASA80.2	16A.2			44,3																									1,62
		TA3TASA80T-SS	ASA80.3	16A.3			73,6																									1,73
ASA100	TA30ASA100S-SS	TA3TASA100S-SS	250	450	ASA100	20A.1	25																									1,56
		TA3TASA100D-SS			ASA100.2	20A.2	54																									1,66
		TA3TASA100T-SS			ASA100.3	20A.3	90																									1,8
ASA120	TA30ASA120S-SS	TA3TASA120S-SS	250	450	ASA120	24A.1	25																									1,56
		TA3TASA120D-SS			ASA120.2	24A.2	70																									1,72



ETL SS

Inox
Full Stainless steel

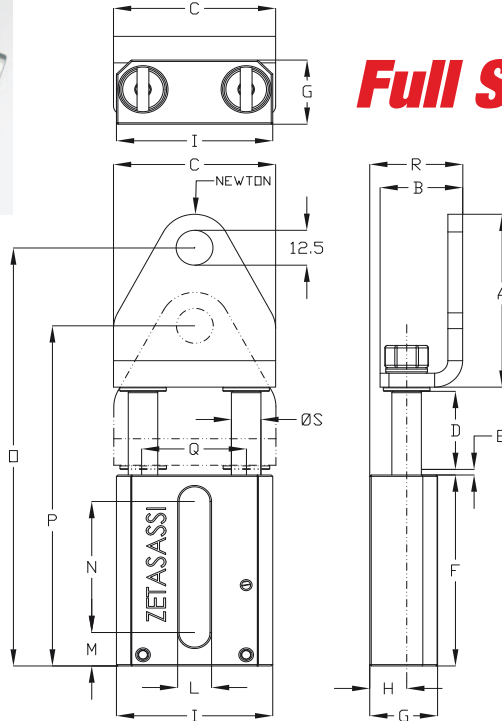


NEWTON INOX
ETL1-SS 110-240
ETL2-SS 210-350
ETL3-SS 250-450

Range
-50°+200°C



Acciaio inossidabile
Stainless steel
Acier inoxydable
Acero inoxidable



Tendicatena automatici lineari a molla ETL SS completamente in acciaio inox, hanno la base ricavata dal pieno in AISI 304, boccole PTFE per lo scorrimento dei perni e tutte le parti meccaniche e di serraggio in acciaio inox AISI 304/316, le molle in AISI 302.

ETL SS automatic linear spring-action chain tensioners, completely in stainless steel has the base machined from solid AISI 304, PTFE bushings for rod glide and all mechanical parts and fasteners in AISI 304/316, spring in AISI 302.

Tendeurs de chaîne automatiques linéaires à ressort ETL SS, entièrement en acier inoxydable, a une base en acier plein AISI 304, des douilles de PTFE pour le coulissement des tiges et toutes les pièces mécaniques et de serrage en acier inoxydable AISI 304/316, les ressorts en AISI 302.

Tensores de cadena automáticos lineales de muelle ETL SS, completamente de acero inoxidable, tienen el cuerpo obtenido de pieza maciza de AISI 304, manguitos PTFE para el deslizamiento de los pasadores y todas las partes mecánicas y de apriete de acero inoxidable AISI 304/316, los muelles de AISI 302.

CODE	NEWTON		A	B	C	D	E	F	G	H	I	L	M	N	O	P	Q	R	S	KG
	MIN	MAX																		
ETL1-SS	110	240	62	28	55	26	4	68,5	23	12,5	53	10,5	12	47	150	124	35	31,5	10	0,62
ETL2-SS	210	350	81	33	70	36	4	86	28	15	70	12,5	15	58	197	161	46	36	12	1,2
ETL3-SS	250	450	91	36	80	39	6	99	33	17,5	82	14,5	16	67	222,5	183,5	53	41,5	16	1,85

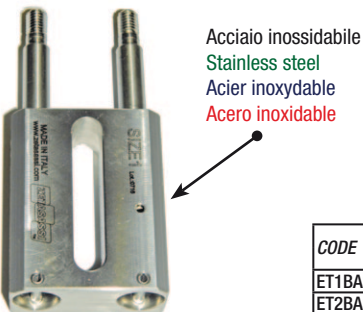
ETBASE SS

Inox
Full Stainless steel

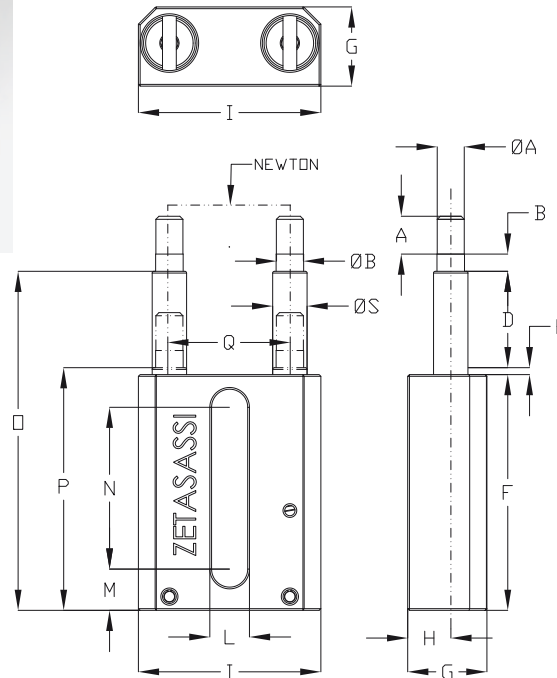


NEWTON INOX
ET1BASE-SS 110-240
ET2BASE-SS 210-350
ET3BASE-SS 250-450

Range
-50°+200°C



Acciaio inossidabile
Stainless steel
Acier inoxydable
Acero inoxidable



Tendicatena automatici lineari a molla ETBASE-SS completamente in acciaio inox, hanno la base ricavata dal pieno in AISI 304, boccole PTFE per lo scorrimento dei perni e tutte le parti meccaniche e di serraggio in acciaio inox AISI 304/316, le molle in AISI 302.

ETBASE-SS automatic linear spring-action chain tensioners, completely in stainless steel has the base machined from solid AISI 304, PTFE bushings for rod glide and all mechanical parts and fasteners in AISI 304/316, spring in AISI 302.

Tendeurs de chaîne automatiques linéaires à ressort ETBASE-SS, entièrement en acier inoxydable, a une base en acier plein AISI 304, des douilles de PTFE pour le coulissement des tiges et toutes les pièces mécaniques et de serrage en acier inoxydable AISI 304/316, les ressorts en AISI 302.

Tensores de cadena automáticos lineales de muelle ETBASE-SS, completamente de acero inoxidable, tienen el cuerpo obtenido de pieza maciza de AISI 304, manguitos PTFE para el deslizamiento de los pasadores y todas las partes mecánicas y de apriete de acero inoxidable AISI 304/316, los muelles de AISI 302.

CODE	NEWTON		ØA	A	ØB	B	D	E	F	G	H	I	L	M	N	O	P	Q	ØS	KG
	MIN	MAX																		
ET1BASE-SS	110	240	M8x1,25	9	8	7	26	4	68,5	23	12,5	53	10,5	12	47	98,5	72,5	35	10	0,62
ET2BASE-SS	210	350	M10x1,5	11	10	9	36	4	86	28	15	70	12,5	15	58	126	90	46	12	1,2
ET3BASE-SS	250	450	M12x1,75	13	12	10	39	6	99	33	17,5	82	14,5	16	67	144	105	53	16	1,85



ETLR SS

Tendicatena automatici lineari a molla ETLR SS completamente in acciaio inox, hanno la base ricavata dal pieno in AISI 304, boccole PTFE per lo scorrimento dei perni e tutte le parti meccaniche e di serraggio in acciaio inox AISI 304/316, le molle in AISI 302. Compreso di pignone tendicatena folle con cuscinetti a doppia schermatura modello AC INOX.

ETLR SS automatic linear spring-action chain tensioners, completely in stainless steel has the base machined from solid AISI 304, PTFE bushings for rod glide and all mechanical parts and fasteners in AISI 304/316, spring in AISI 302. The bracket is equipped with an idle chain tensioning pinion with double-shielded bearings. The head is equipped with an idle chain tensioning pinion with double-shielded bearings, model AC INOX.

Tendeurs de chaîne automatiques linéaires à ressort ETLR SS, entièrement en acier inoxydable, a une base en acier plein AISI 304, des douilles de PTFE pour le coulissement des tiges et toutes les pièces mécaniques et de serrage en acier inoxydable AISI 304/316, les ressorts en AISI 302, avec pignon tendeur de chaîne libre avec roulements à double blindage modèle AC INOX.

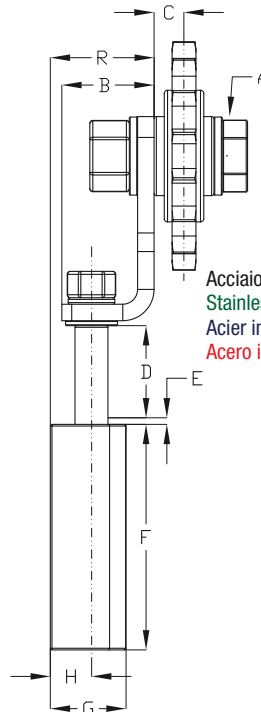
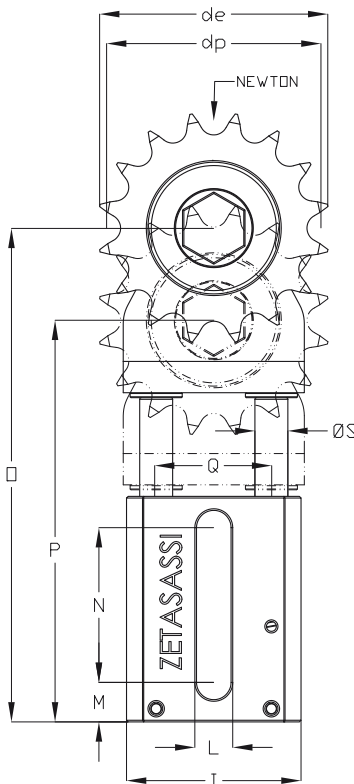
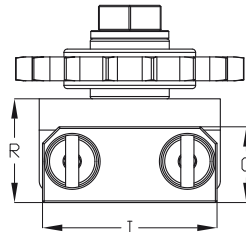
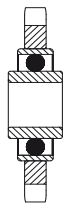
Tensores de cadena automáticos lineales de muelle ETLR SS, completamente de acero inoxidable, tienen el cuerpo obtenido de pieza maciza de AISI 304, manguitos PTFE para el deslizamiento de los pasadores y todas las partes mecánicas y de apriete de acero inoxidable AISI 304/316, los muelles de AISI 302, dotado de rodamientos de doble blindaje modelo AC INOX.

NEWTON INOX
ETLR1-SS 110-240
ETLR1-SS 210-350
ETLR1-SS 250-450

Range
-20°+120°C

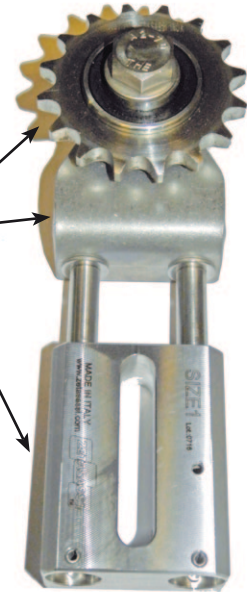
Acciaio inossidabile
Stainless steel
Acier inoxydable
Acero inoxidable

mod.AC



Inox
Full Stainless steel

Acciaio inossidabile
Stainless steel
Acier inoxydable
Acero inoxidable



CODE	NEWTON		PASSO CATENA	DENTI	de	dp	Cuscinetto	A	B	C	D	E	F	G	H	I	L	M	N	O	P	Q	R	S	KG	
	MIN	MAX	CHAIN PITCH	TEETH			Bearings																			
			PASO DE LA CADENA	DIENTES																						
			PAS DE LA CHAÎNE	DENTS																						
ETLR1-SS																										
ETLR1AC38S-SS	110	240	3/8" x 7/32"	06B1	21	68	203 K2RS AH02 ss	M12x1,75 40	28	9,1	26	4	68,5	23	12,5	53	10,5	12	47	150	124	35	31,5	10	0,77	
ETLR1AC12S-SS			1/2" x 5/16"	08B1	16	69,5																			65,1	0,8
ETLR1AC58S-SS			5/8" x 3/8"	10B1	17	93																			86,39	0,99
ETLR1AC34S-SS			3/4" x 7/16"	12B1	15	99,8																			91,63	1,1
ETLR2-SS																										
ETLR2AC38S-SS	210	350	3/8" x 7/32"	06B1	21	68	203 K2RS AH02 ss	M12x1,75 40	33	9,1	36	4	86	28	15	70	12,5	15	58	197	161	46	36	12	1,35	
ETLR2AC12S-SS			1/2" x 5/16"	08B1	16	69,5																			65,1	1,37
ETLR2AC58S-SS			5/8" x 3/8"	10B1	17	93																			86,39	1,57
ETLR2AC34S-SS			3/4" x 7/16"	12B1	15	99,8																			91,63	1,68
ETLR2AC1S-SS			1" x 17 mm	16B1	12	109																			98,14	1,93
ETLR3-SS																										
ETLR3AC38S-SS	250	450	3/8" x 7/32"	06B1	21	68	203 K2RS AH02 ss	M12x1,75 40	36	9,1	39	6	99	33	17,5	82	14,5	16	67	222,5	183,5	53	41,5	16	2	
ETLR3AC12S-SS			1/2" x 5/16"	08B1	16	69,5																			65,1	2,02
ETLR3AC58S-SS			5/8" x 3/8"	10B1	17	93																			86,39	2,22
ETLR3AC34S-SS			3/4" x 7/16"	12B1	15	99,8																			91,63	2,33
ETLR3AC1S-SS			1" x 17 mm	16B1	12	109																			98,14	2,6